

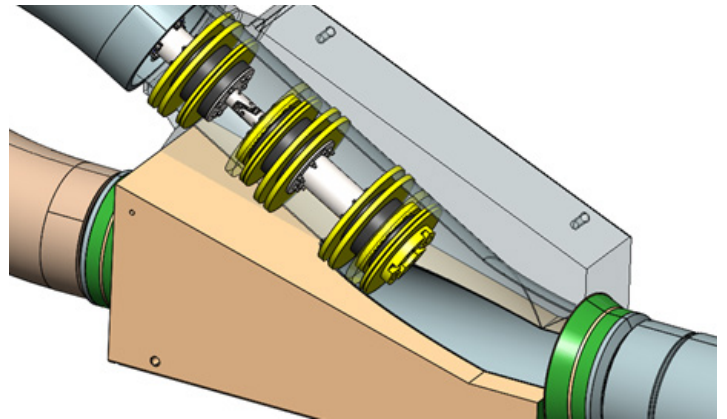
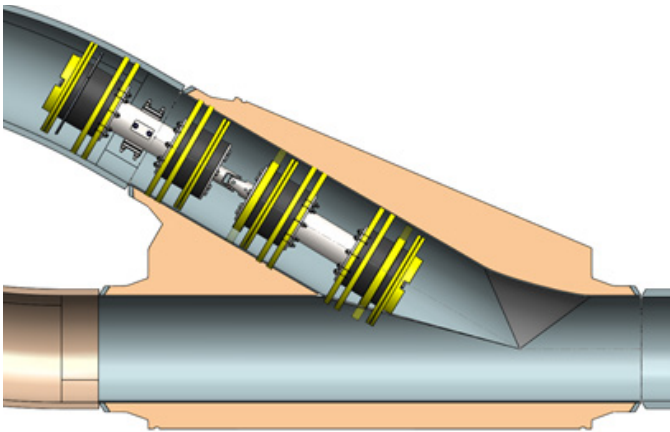
ARTICULATED PIGS



Product Overview

Propipe articulated pigs are used for a wide variety of applications, from flood, clean and gauging operations onto dewatering, as well as operational maintenance operations.

Articulated pigs are typically designed to pass pipeline wye connections whilst also negotiating tight bend radius. They are also used to pass oversized features (such as ball valves or connector hubs). This type of pig is also highly efficient in long run dewatering/flooding operations as well as dual-diameter applications.



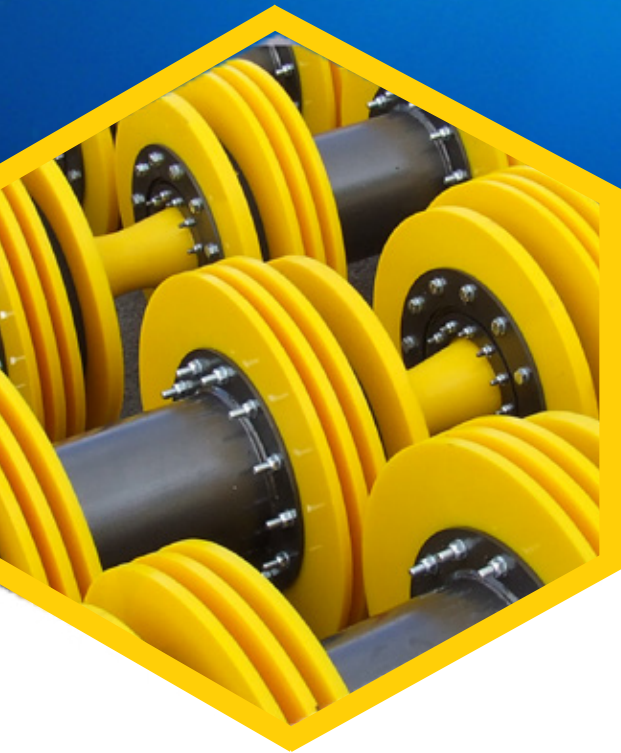
Standard Features

- Metallic parts from Carbon Steel or Stainless Steel (High Tensile Bolts c/w Locking Nuts)
- Articulation joints using high tensile wire plus polyurethane spacer joint or universal-type
- Pigging Discs – High Grade Polyurethane Elastomer (4x Sealing Disc and 2x Guiding Disc minimum)
- Polyurethane Bumper Noses c/w Bypass Slots
- Can be disc, cup or wheeled support type
- Minimum Bend Radius 3D minimum (1.5D specials available)



Example of articulated pigs running in excess of 700km through a 36" dry, uncoated pipeline.

ARTICULATED PIGS



Optional Features

- Cleaning Brushes (Carbon Steel, Stainless Steel or Nylon)
- Slotted or Grooved Guide Discs (for diameter changes or wax scraping)
- Dewaxing / Descaling Pads (with plough blades or descaling studs)
- Gauge Plates (Standard or Trident SMART)
- Mounting for Trident EM or Acoustic Pig Tracking Device
- Long Run Support / Guide Discs
- High Seal / High Friction layout
- Jetting / Bypass Nozzles for debris flushing and blockage prevention
- Neodymium Magnet packs for scale collection or detection

